

## Precaution

### Please read this instruction carefully before use.

- Do not attempt to disassemble or modify the product.
- Keep the product away from the external shocks or vibrations.
- Do not use the damaged or peeled cables.
- Do not use the unit outdoors.
- Product specifications and features are subject to change without notice.

## Warranty Information

- Free warranty service
  - In case of the defect is found caused by the design or the production flaw while using the device properly, a manufacturer is responsible for the faulty product and the free warranty service for 1 year from the date of purchasing.
  - Even in the warranty service period, malfunction or damage of products caused by the inevitable incident such as a natural disaster is not subject of the free warranty service.
- Warranty service at a cost
  - The product that free warranty service period is expired.
  - Malfunction of the product caused by a user's fault.
  - Malfunction of the product caused by incidents.
  - Malfunction of the product caused by a natural disaster such as earthquake, flood, lightning & etc.
  - In case of the warranty service at a cost, a customer should cover the transportation costs.
- Samples of a user's fault
  - In case of attempts to disassemble or modify the device
  - In case of not following the instructions on this manual
- Please read this operating instructions & Q&A board on our website carefully before asking for the warranty service.

## Supplied components

- tX-USBhubEX Unit
- Operating instruction

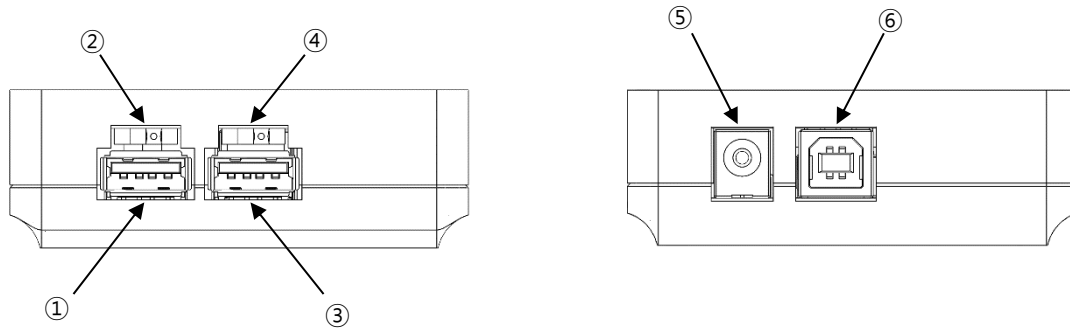


*Ultimate High Performance Audio*

## Specification

- USB host interface port
  - USB 2.0 Type B connector
- USB output Port
  - Type A USB 2.0 connector x 2
  - USB port power on/off switch x 2
- USB interface chip set
  - USB 2.0 Compliant HUB controller
  - HS(480 Mbps), FS(12 Mbps), LS(1.5 Mbps) support
- Power input
  - Input voltage : +6.5V ~ +9Vdc
  - Input current : 2A max
  - 5.5mm OD, 2.1mm ID adaptor jack
- USB port output power
  - Output voltage : +5.0V(+0.5V, -0.25V)
  - Over current protect : 0.8A at 20°C
  - Recommend output current : 0.5A >
- Operating environment
  - Operating temperature : +10 ~ +30°C
  - Storage temperature : 0 ~ +40°C
  - Operating & storage humidity : 10% ~ 90%

## Product Outline



- ① USB output port no. 1 : Connect to USB audio device.
- ② Power switch of USB output port no. 1 : Switch ON, if the connected USB audio device requires USB power. If not, switch OFF.
- ③ USB output port no. 2 : Connect to USB audio device.
- ④ Power switch of USB output port no.2 : Switch ON, if the connected USB audio device requires USB power. If not, switch OFF.
- ⑤ Power input jack : The power, 6.5Vdc ~ 9Vdc, 2A, is required to operate the unit. (jack size : 5.5mm OD, 2.1mm ID)  
A supplied 9V/2A adpoter, mBPS-d2s or sPS-1000 can be used.
- ⑥ USB input port : Connect to an USB port of your PC or server by USB cable (Type A - to - Type B).

## Precautions

Recommend using one of USB ports only. If you use both USB ports at the same time, sound quality may degrade.

## Product user guide

- S0tM tX-USBhubEX is a 2 ports USB2.0 external hub designed for the best USB audio performance.
- Connect the USB input port to a USB host device like a music server or PC and connect the USB output port 1 or 2 to a USB audio device like a DDC or DAC by USB cable(Type A – to Type B).
- Connect the power supply to the product. (Refer to the required power input in the Specification section)
- A power indicating green LED bar is on once powered up and the product will be automatically recognized and work without the driver installation.
- If the connected USB audio device requires +5V of the USB output port, switch to ON the power switch, if not, switch to OFF.
- If you don't use the product, turn off power by unplugged the power supply.

