

tX-USB hub

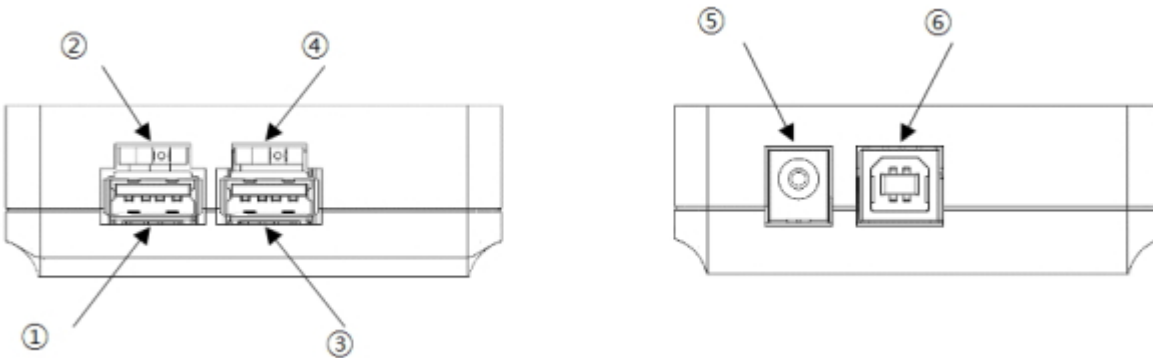


- , .
- , 가 .
- cable .
- .
- , , .

- tX-USBhub
-

- USB host interface port
 - USB 2.0 Type B connector
- USB output Port
 - Type A USB 2.0 connector x 2
 - USB port power on/off switch x 2
- USB interface chip set
 - USB 2.0 Compliant HUB controller
 - HS(480 Mbps), FS(12 Mbps), LS(1.5 Mbps) support
- Power input
 - Input voltage : +6.5V ~ +9Vdc
 - Input current : 2A max
 - 5.5mm OD, 2.1mm ID adaptor jack

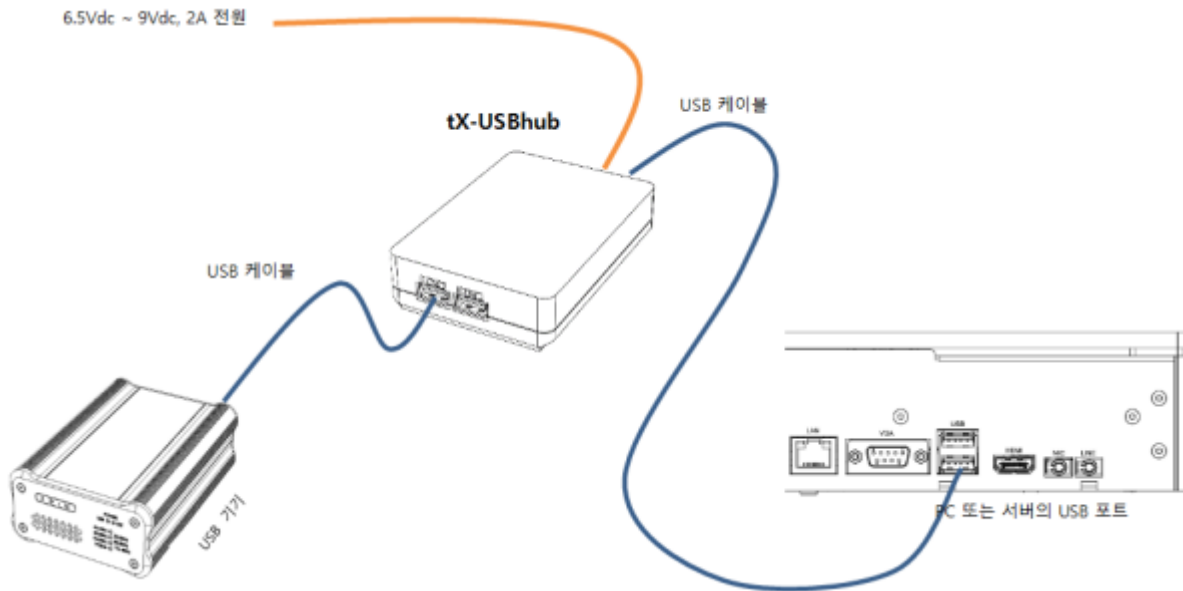
- USB port output power
 - Output voltage : +5.0V(+0.5V, -0.25V)
 - Over current protect : 0.8A at 20°C
 - Recommend output current : 0.5A >
- Operating environment
 - Operating temperature : +10 ~ +30°C
 - Storage temperature : 0 ~ +40°C
 - Operating & storage humidity : 10% ~ 90%



1. USB	1: USB	1	. USB	.	
2. USB	1	: USB	1	가 USB	ON,
	OFF	.			
3. USB	2: USB	2	. USB	.	
4. USB	2	: USB	2	가 USB	ON,
	OFF	.			
5.	:		6.5Vdc ~ 9Vdc, 2A		
	(5.5mm OD, 2.1mm ID)		mBPs-d2s	sPS-1000	
6. USB	: USB	(Type A - to - Type B)	PC	USB	

2 **USB**

1 **USB**



- tX-USBhub USB audio , USB (Type A - to - Type B) 2 ports USB 2.0 hub PC
- USB mBPs-d2s sPS-1000
- 6.5Vdc ~ 9Vdc, 2A tX-USBhub LED가 , USB hub
- tX-USBhub USB 가 USB +5V USB
- OFF (Type A - to - Type B) USB USB

A/S

A/S

- , 1 A/S
- A/S 가
- A/S

A/S

- A/S
-
-
- ,
- A/S

- ,
-

A/S

Q&A

From:

<https://docs.sotm-audio.com/> - **SOTM docs**

Permanent link:

<https://docs.sotm-audio.com/doku.php?id=ko:tx-usbhub>

Last update: **2016/09/07 22:42**

