

sMS-1000SQ

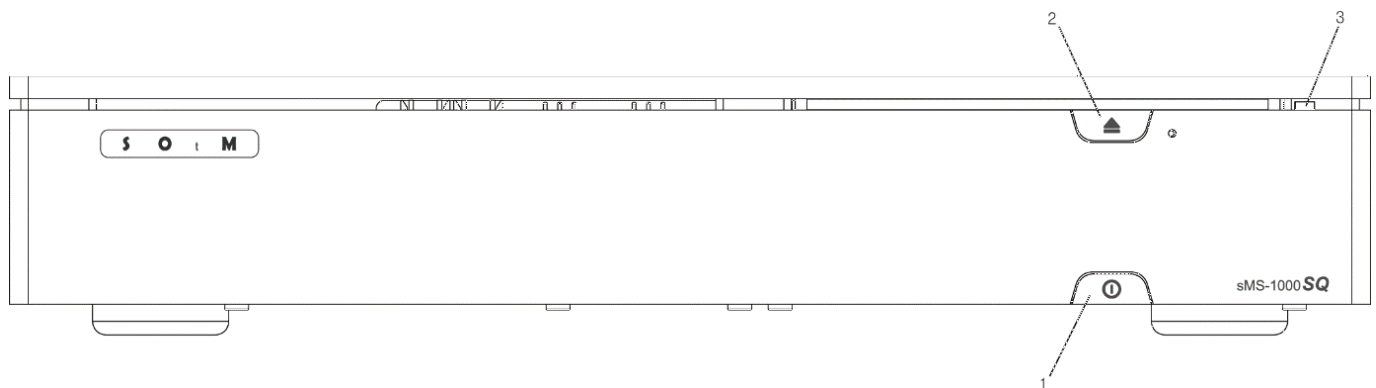


sMS-1000SQ is a music file player and server, it browses, shares and plays music files in the network or stored in the product.

- [Windows Edition description](#)
- [Eunhasu Edition description](#)
- [Eunhasu usage](#)

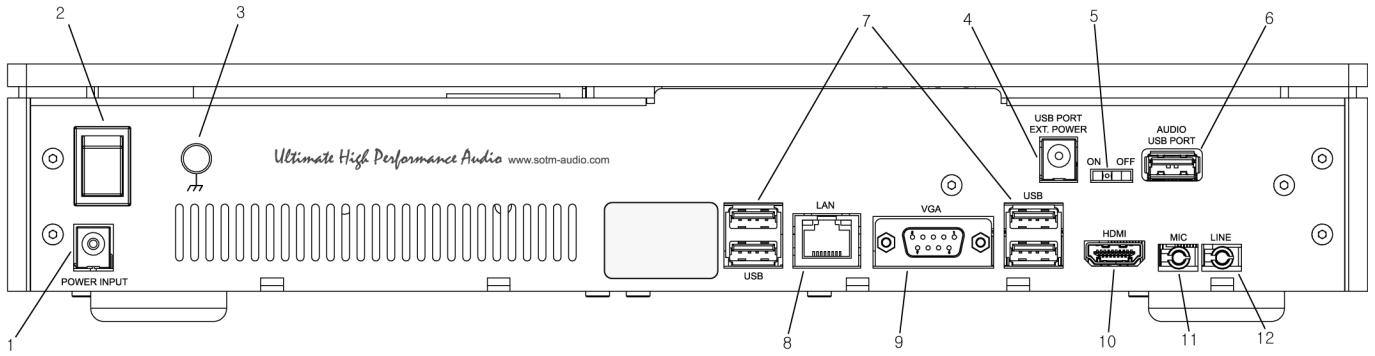
Exterior

Front Panel



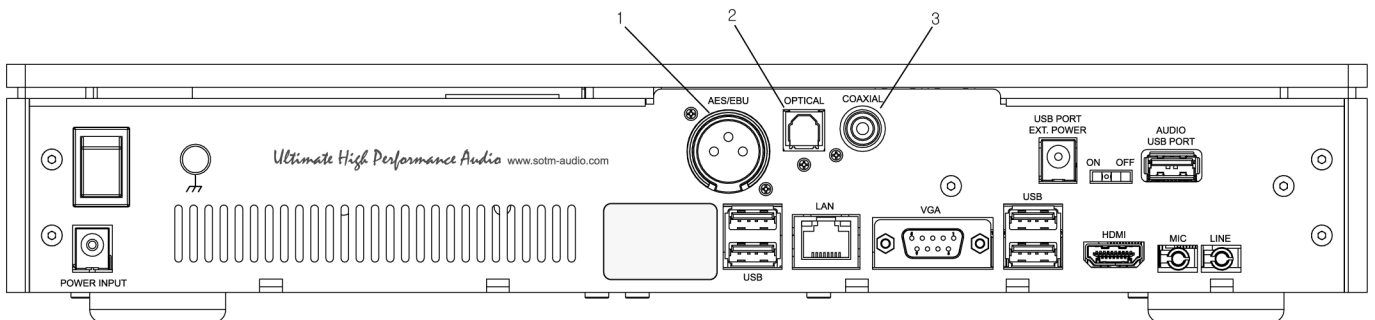
1. Standby button: Power ON/OFF the unit.
2. Eject button: Eject an optical disk. (Use when an optional optical drive installed)
3. Indicator lamp: Indicate the power status. If the storage devices is operating, the lamp is blinking.

Rear Panel - sMS-1000SQu



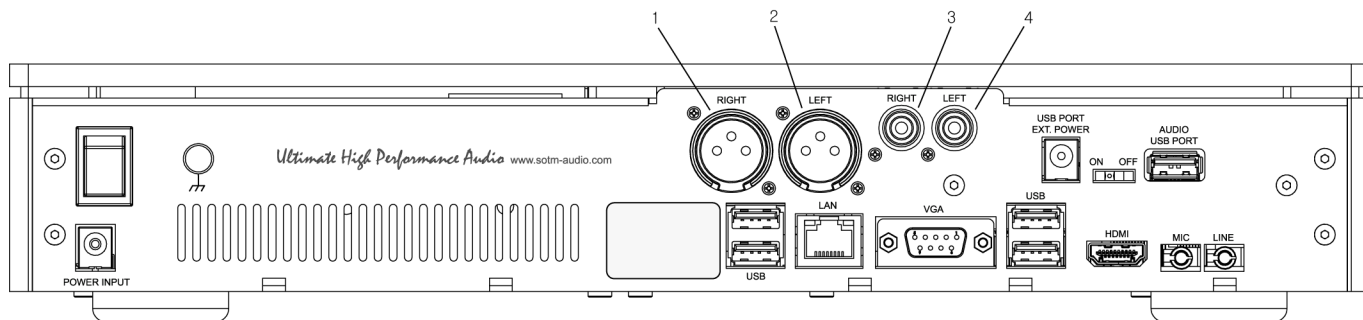
1. Power input jack: Connect to a power supply.
2. Power input switch: Turn ON/OFF power of the unit.
3. Earth terminal: Connect to earth(ground).
4. External power input jack for AUDIO USB PORT: If you want to use external power to AUDIO USB PORT, you can use 6.5Vdc ~ 9Vdc, 2A power.
5. Power switch for AUDIO USB PORT: Turn ON/OFF +5.0v power of AUDIO USB PORT. If the connected USB audio device use USB port power, switch to ON.
6. AUDIO USB PORT: Connect to USB audio device.
7. USB port: Connect to non-USB audio device if needed.
8. LAN port: Connect to a router by network cable.
9. VGA port: Connect to a monitor by VGA cable if VGA display is needed.
10. HDMI port: Connect to a monitor by HDMI cable if HDMI display is needed.
11. Line-out jack: Main board analog audio output jack.
12. Mic-in jack: Main board microphone input jack.

Rear Panel - SMS-1000SQd



1. AES/EBU digital output: Connect to AES/EBU input of DAC.
2. Optical digital output: Connect to optical input of DAC.
3. Coaxial digital output: Connect to coaxial input of DAC.

Rear Panel - SMS-1000SQa



- 1. Right balanced analog audio output: Connect to right balanced analog audio input of amplifier.
- 2. Left balanced analog audio output: Connect to left balanced analog audio input of amplifier.
- 3. Right unbalanced analog audio output: Connect to right unbalanced analog audio input of amplifier.
- 4. Left unbalanced analog audio output: Connect to left balanced analog audio input of amplifier.

From:
<https://docs.sotm-audio.com/> - **SOTM docs**

Permanent link:
<https://docs.sotm-audio.com/doku.php?id=en:sms-1000sq>

Last update: **2017/01/25 21:53**

